

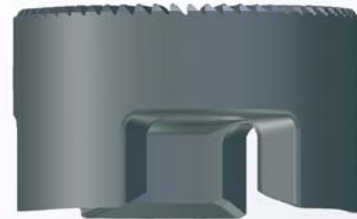


## GKN PARTS FOR SEATS

Prod. Group No. 5160



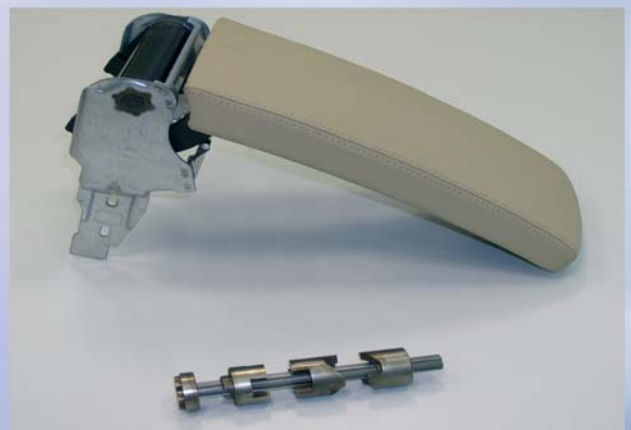
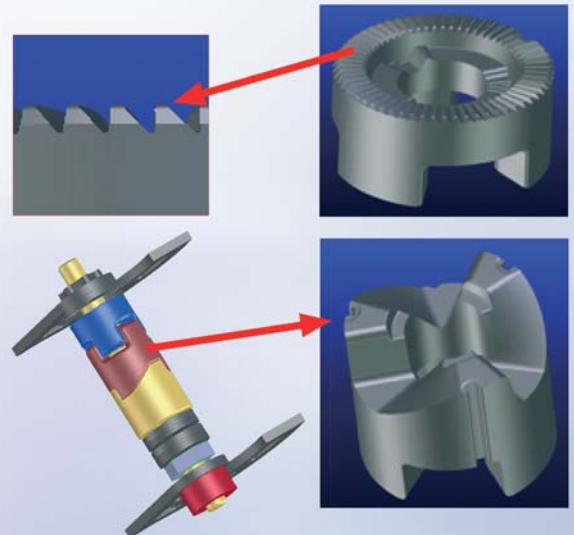
Highly loaded components featuring complex shapes and tight dimensional and position tolerances



Armrest adjustment featuring overload protection.

This assembly is comprised of six individual PM components.

- High load resistance
- Statistically capable dimensions
- Complex geometry
- Tight dimensional and position tolerances
- High precision tooth form
- All parts are heat-treated
- Close fit tolerances for six individual components



Arm rest with PM component assembly

## GKN PARTS FOR SEATS

### Wedges + cam ring

- high strength components
- high hardness requirement >700 HV0.1
- density > 7.25 g/cm<sup>3</sup>
- polished surface finish
- precise external features



### Recliner system featuring wedges and cam ring

